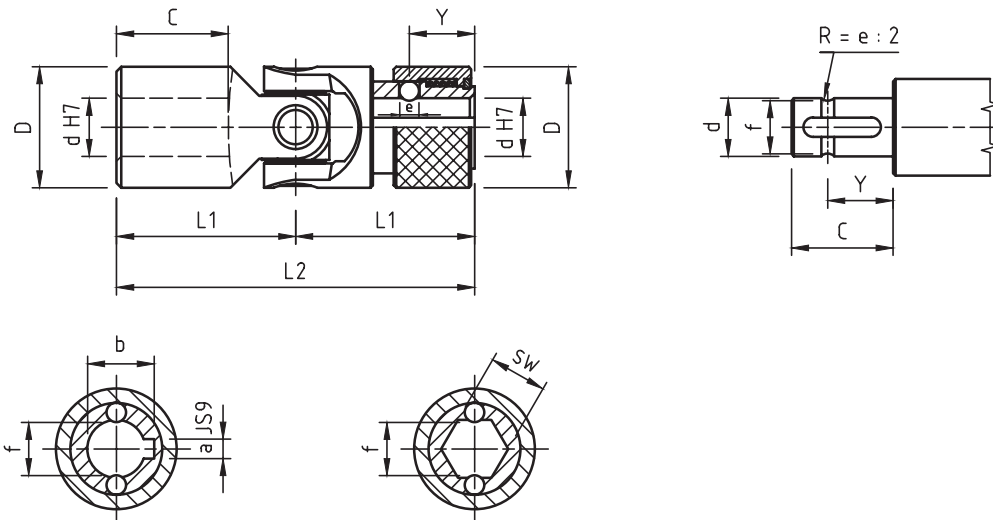


- Giri max. 4000/min.
 Max. speed 4000 R.P.M.
- Angolo max. 45°
 Max. angle 45°



Mod. Type	d	D	L2	L1	C	Y	e	f	Codice / Code		a	b	Codice / Code		SW	Peso Weight Kg
—	—	—	—	—	—	—	—	—	—	—	—	—	—	—	—	—
03HR	10	22	62	31	17	11,5	4	8,7 (8)	SH0R 101C		3	11	SH0R 10SW		10 (9,06)	0,12
04HR	12	25	74	37	21	13,5	4	11 (10,5)	SH0R 121C		4	13,3	SH0R 12SW		12 (11,15)	0,19
05HR	14	25	74	37	21	13,5	4	13	SH0R 141C		5	15,3	SH0R 14SW		14	0,17
1HR	16	32	86	43	24	14	6,35	14,8	SH0R 161C		5	18,3	SH0R 16SW		16	0,34
2HR	18	36	96	48	28	19	8	16	SH0R 181C		6	20,8	SH0R 18SW		18	0,48
3HR	20	42	108	54	31	19	8	18	SH0R 201C		6	22,8	SH0R 20SW		20	0,76
4HR	22	45	120	60	34	20,5	10	20	SH0R 221C		6	24,8	SH0R 22SW		22	0,97
5HR	25	50	132	66	38	20,5	10	23	SH0R 251C		8	28,3	SH0R 25SW		25	1,30
6HR	30	58	166	83	49	25	10	28	SH0R 301C		8	33,3	SH0R 30SW		30	2,13

Morskate®



Any questions? Please contact us.

Morskate Aandrijvingen BV

Oosterveldsingel 47A
7558 PJ Hengelo (Ov)
The Netherlands

NL

T +31 (0)74 - 760 11 11
info@morskateaandrijvingen.nl
www.morskateaandrijvingen.nl

DE

T +49 692 - 222 34 95
info@morskateantriebstechnik.de
www.morskateantriebstechnik.de

EN

T +31 (0)74 - 760 11 11
info@morskatedrivetechnology.com
www.morskatedrivetechnology.com